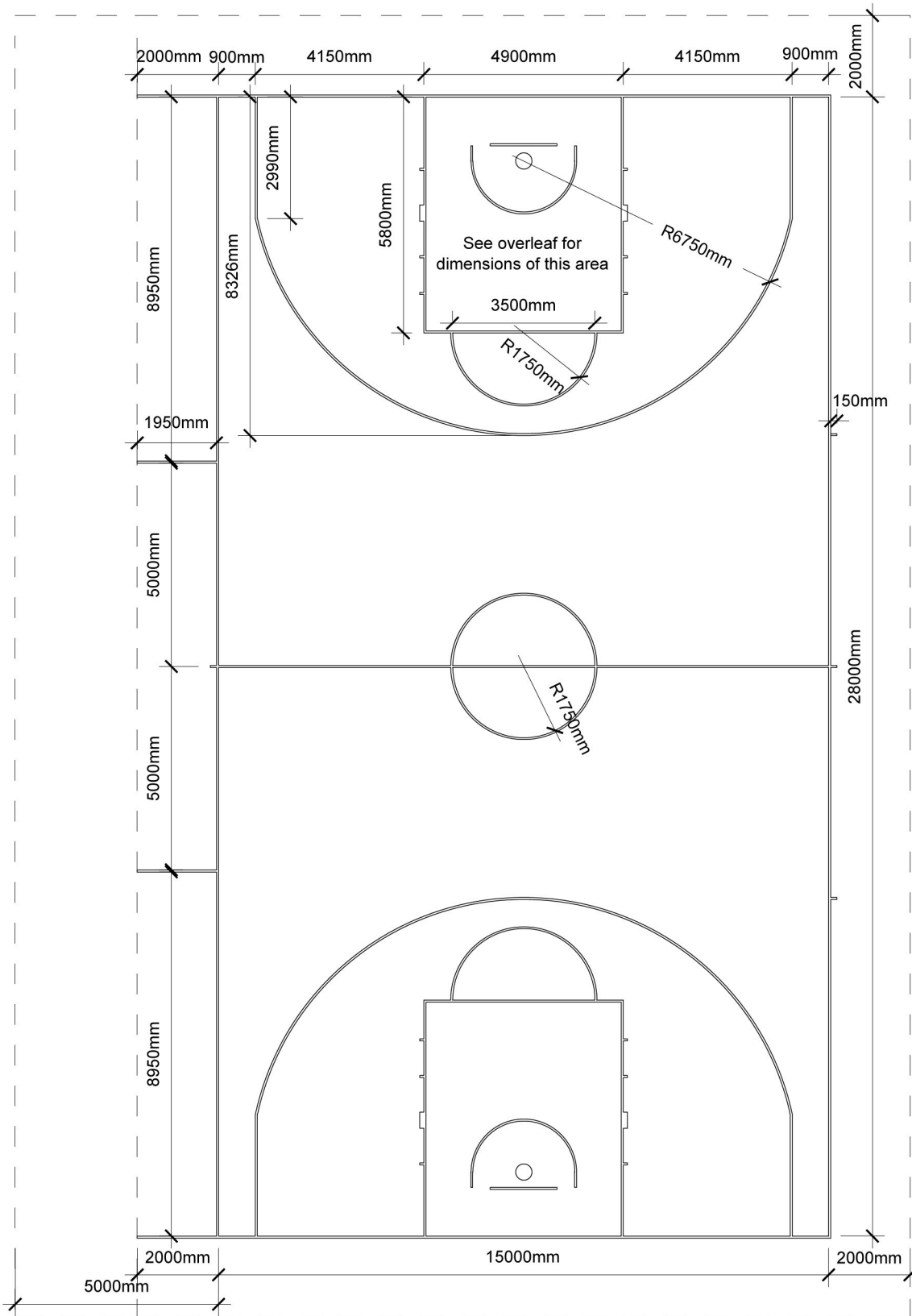
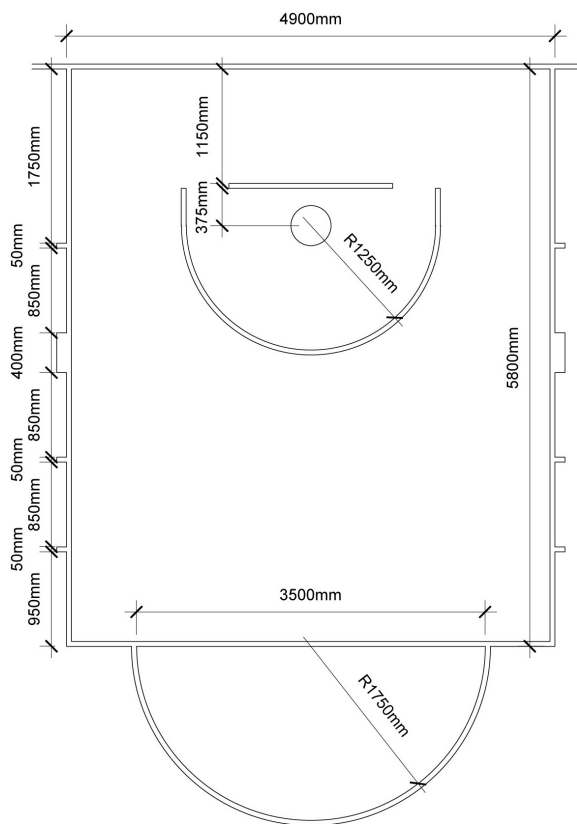


Basketball court



Basketball design data

Restricted area layout



Line markings

Width of lines: 50mm

External dimensions **exclude** width of lines.

Colours

Contrasting to floor colour.

Preferably white for dedicated basketball venues.

Black in multi sports hall.

For national and international competition the inside of the restricted area must be one colour.

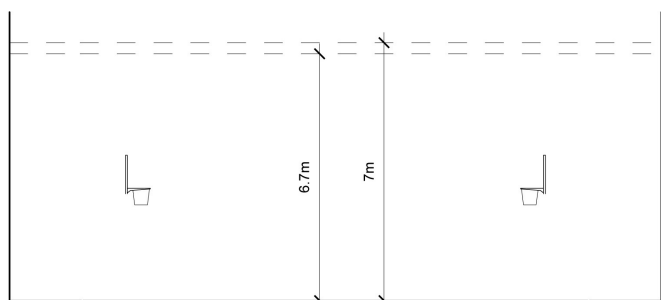
Playing surface

Sports floor conforming to BS EN 14904:2006

Clear height requirements

Performance: 7m

Minimum: 6.7m



Court dimensions

28m x 15m

Safety margins: 2m all round

Wheelchair basketball and National League performance basketball requires one side accommodating the technical areas to have 5m safety margin outside the court boundary

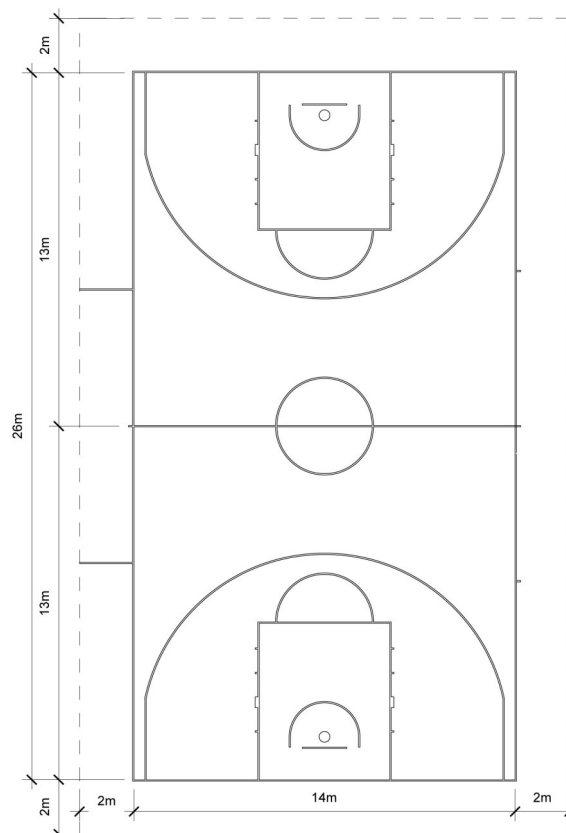
Mini basketball : as per adult size

Basketball within smaller halls

External measurements can be scaled down to 26m x 14m.

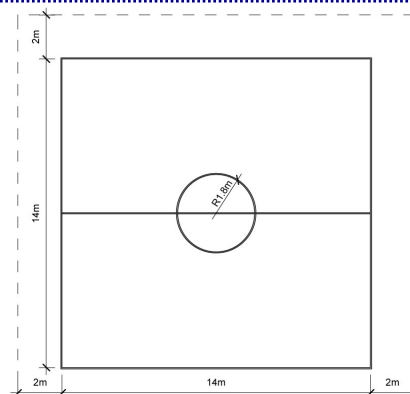
Internal lines and central line remain in correct proportions

Safety margins, restricted area and three point line to remain full size measurements.



For very small halls a restricted area may be parked out at each end and a centre line marked to allow training.

Safety margins should remain as per full size play.



Basketball design data

Wheelchair basketball requirements

The court and equipment requirement are as stated. Inclusion of a 5m safety margin technical area is required to one side of the court. Preference for area elastic flooring.

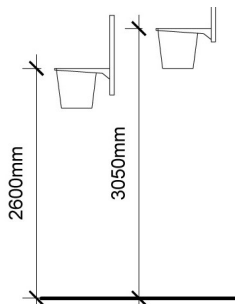
Wheelchair basketball may also be played 3 v's 3 on a half court using one ring.

Ring Height

3050mm from ffl

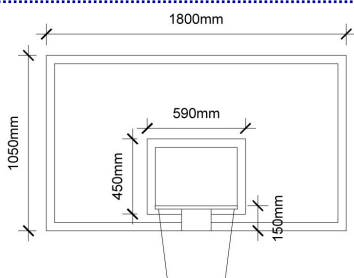
Youth basketball (12-18): 3050mm from finished floor level
 Mini basketball (under 12): 2060mm from finished floor level
 Option of lower for very young children, can be accommodated by a portable hoop.

Pressure release rings ensure player safety and reduce equipment damage they are preferable for all levels and mandatory for national level and above.

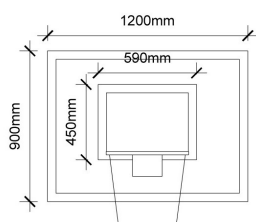


Backboard

Full size backboard is 1800mm x 1050mm. Preferably perspex on all competition goals on full size courts for performance venues. Wooden backboards can be installed in school and recreational club venues.



Cross court / side wall baskets or baskets within small halls can be smaller size backboards. Ideally these will be height adjustable.



Cross court goal locations

Additional goal locations can be added to halls to facilitate training. Ideally cross court and side wall baskets will be height adjustable, meaning ring can be set at multiple heights easily and for use by multiple age groups.

Within a 3 badminton* court hall

Minimum for training:
 4 cross court goals centred on the half court
 Desirable for training:
 6 cross court goals centred on the Badminton courts.

Within a 4 or 5 badminton* court hall

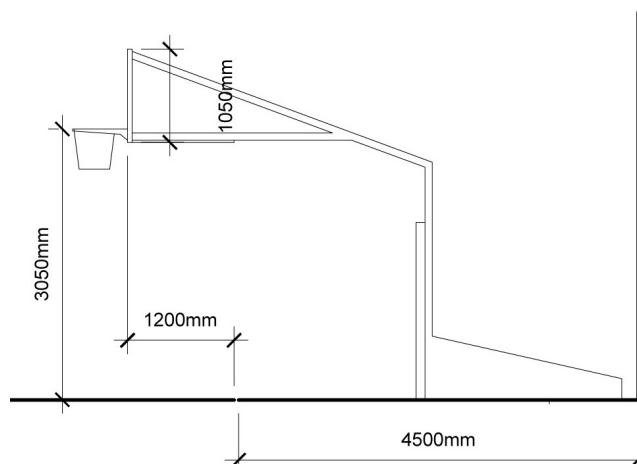
Minimum for training:
 6 cross court goals evenly spaced

*Hall sizes have historically been counted in badminton courts as the smallest module.



Free standing goals

For show courts or large halls requiring freestanding goals require typically 4500mm outside each end of the court to accommodate the counterweight. Floor sockets will also be required to anchor the free standing goals. Exact specification requirement should be checked prior to design sign off.

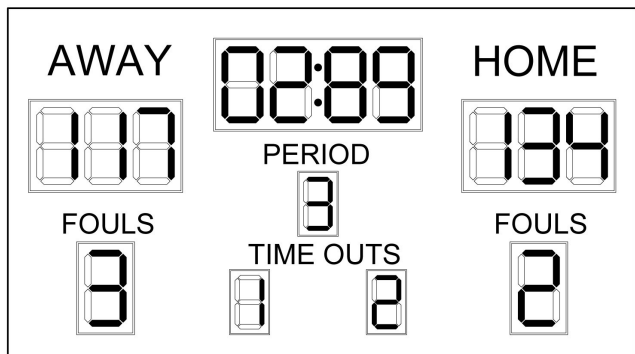


Basketball design data

Scoreboard

A scoreboard is required for competitive school, club and national level play.

The scoreboard should be installed higher than 3m directly across from the technical area.



Source documents and Further information

International Basketball Federation
www.fiba.com
 FIBA Court Markings 2010 Onwards
 FIBA Official Basketball Rules 1st Oct 2014
 FIBA Official Basketball Rules, Equipment appendix 1st Oct 2014
 FIBA Mini Basketball Rules (2005).

International Wheelchair Basketball Federation
www.iwbf.org
 IWBF Rule Book
 IWBF Official Wheelchair Basketball Rules 1st Oct 2014
 IWBF 3v3 Rules of the game (Full court rules & Half court rules)

National or regional performance centres

When building a facility with elite, performance or professional use please contact basketballscotland directly.

www.basketballscotland.co.uk

Endorsed by

basketballscotland
www.basketballscotland.co.uk

Required to display:	showing:
Home and away score	3 digits up to 999
Game clock	minutes & seconds, plus seconds and 1/10 th seconds for last minute
Number of team fouls	1 to 5
Number of period	1 to 4 & E for an extra period
Number of time-outs	0 to 3
A clock for timing the time-out (optional)	The game clock must not be used for this purpose

Second shot clocks

24 second clocks are required for national level competitive play. These can be wall mounted or mounted on the match goals. They can also be provided by roll out equipment therefore do not need to be provided as part of a facility build. However due consideration should be given to power outlets for this purpose in appropriate locations within a new build hall.

